



IT900

Y-Net Package

Quick Start

February 2011

Copyright © Yitran Communications Ltd.

PRELIMINARY information concerns products in the formative or design phase of development. Characteristic data and other specifications are design goals. YITRAN Communications reserves the right to change or discontinue these products without notice.



Please be aware that an important notice concerning availability, standard warranty, and use in critical applications of YITRAN Communications semiconductor products and disclaimers thereto appears at the end of this document.



Table of Contents

| | | |
|----------|--|-----------|
| 1 | INTRODUCTION..... | 4 |
| 1.1 | SCOPE..... | 4 |
| 1.2 | OVERVIEW..... | 4 |
| 1.2.1 | The Network Layer Features | 5 |
| 1.2.1.1 | NL Topology..... | 6 |
| 1.2.1.2 | Addressing Services..... | 7 |
| 1.2.1.3 | Routing Services..... | 7 |
| 1.2.1.4 | Data Services..... | 8 |
| 1.2.2 | Technical Specifications | 9 |
| 1.2.2.1 | PHY Specifications..... | 9 |
| 1.2.2.2 | NL Management Specifications..... | 9 |
| 1.3 | Y-NET PACKAGE CONTENT..... | 10 |
| 1.3.1 | The STK4 – (Starter Kit) | 11 |
| 1.3.2 | The CD..... | 12 |
| 1.3.2.1 | Software Application..... | 12 |
| 1.3.2.2 | Documentation:..... | 12 |
| 2 | WORKING WITH THE PACKAGE..... | 13 |
| 2.1 | EVALUATION USER MODE OPTIONS | 13 |
| 2.1.1 | Coverage Test Mode | 13 |
| 2.1.1.1 | Requirements..... | 13 |
| 2.1.1.2 | Evaluation Steps..... | 14 |
| 2.1.2 | Peer To Peer Mode..... | 14 |
| 2.1.2.1 | Requirements..... | 15 |
| 2.1.2.2 | Evaluation steps..... | 15 |
| 2.1.3 | Basic NL Setup Mode..... | 16 |
| 2.1.3.1 | Requirements..... | 16 |
| 2.1.3.2 | Evaluation steps..... | 17 |
| 2.2 | DEVELOPMENT PROCESS AND OPTIONS..... | 20 |
| 2.2.1 | Required Documentation | 20 |
| 2.2.2 | Implementation Options..... | 21 |
| 2.2.2.1 | PC..... | 21 |
| 2.2.2.2 | External uP..... | 21 |
| 2.2.3 | Choosing Application Requirements | 21 |
| 2.2.4 | Implementation..... | 22 |
| 3 | FREQUENTLY ASKED QUESTIONS (FAQ)..... | 23 |
| | DOCUMENT CONTROL..... | 25 |
| | IMPORTANT NOTICE | 26 |

Figures

| | |
|---|----|
| Figure 1: The Tree Type NL Topology..... | 6 |
| Figure 2: Y-NET Package | 10 |
| Figure 3: IT900 PIM | 11 |
| Figure 4: IT900 STK4 and Board | 11 |
| Figure 5: LED Display on STK4..... | 14 |
| Figure 6: Peer To Peer Setup..... | 16 |
| Figure 7: Basic NL Setup | 18 |
| Figure 8: Network's Topology Display on PLC Studio..... | 19 |
| Figure 9: PC Program Application Development | 21 |
| Figure 10: External uP/Own Board Application | 21 |

Tables

| | |
|---|----|
| Table 1: PHY Specifications | 9 |
| Table 2: NL Management Specifications | 9 |
| Table 3: Y-Net Package Contents | 10 |

1 Introduction

1.1 Scope

This document reviews the content of the IT900 Y-Net Package and provides the required information to allow a quick and smooth start for various evaluation and development purposes; from a simple peer-to-peer communication up to an advanced large scale PLC network. This document describes the technical specifications of the Y-Net package and the new features for this version.

Follow the instructions in this document to get started and learn how to work with the Y-Net Package in its different modes.

1.2 Overview

The Y-Net package is designed to enable evaluation, testing and application development with Yitran's IT900 networking technology to provide solutions for command and control applications such as Energy Management, Automatic and Remote Metering, Home/Building Automation, Lighting and HVAC control and more.

The IT900 is a highly integrated System-on-a-Chip (SoC) Powerline Communication (PLC) modem. It incorporates Yitran's extremely reliable Physical Layer (PHY), high-performance Data Link Layer (DLL) and Network (Y-Net) protocol. The Network Layer (NL) is implemented using an advanced and compact adaptive routing and automatic addressing mechanism, enabling optimal and simple Powerline Communication.

The I900's PHY is optimized for PLC media and provides the following features:

- Yitran's patented DCSK and DCSK Turbo implementing advanced coherent spread spectrum modulation techniques for high speed and extremely robust
- Data rates up to 500 Kbps in FCC and ARIB, 150 Kbps in CENELEC-A and 50 Kbps in CENELEC-B.
- High immunity to signal fading, various noise characteristics, impedance modulation and phase/frequency distortion. A high in-phase and cross-phase reliability and an error correction CRC-16 mechanism.
- Meets worldwide regulation requirements (FCC, ARIB and CENELEC).
- Fully backward compatible with IT700 and IT800 series
- Multiple transmission modes for optimizing performance and throughput to powerline conditions

Proprietary Information

The IT900's DLL is designed for PLC networking and applications, and provides the following features:

- Support of up to 1023 logical networks with 2047 nodes per network.
- Acknowledged and Unacknowledged data transmission services and retransmission mechanisms.
- Carrier Sense Multiple Access with Collision Avoidance (CSMA/CA) channel access scheme.
- Patent pending adaptive back-off algorithm based on IEEE802.11 and optimized for the power line medium.
- Adaptive Rate Mechanism
- Quality of Service (QoS).

Yitran's technology has been extensively tested, proven to be high performance and selected by major leading companies and standardization bodies worldwide. Yitran's technologies provide an ideal solution for a variety of applications and support the implementation of various national and international standards and protocols.

1.2.1 The Network Layer Features

The NL is designed to provide a set of services to create and maintain a tree type topology where the root of the tree is a Network Coordinator (NC) and the body and leaves of the topology are remote stations (RS).

The network layer (NL) provides two main services: (1) Network formation and (2) Routing services. The network formation provides the function and procedural means to create a new network, admit stations to the network and maintain the entirety of the network. The Routing Services provide the functional and procedural means of transferring data sequences from a NC to a RS in a network, even if these lack a direct communication link. The RS also responds to service requests from the upper layers and issues service requests to the Data Link Layer (DLL). The NL Management Adaptive Routing and Addressing services allow the upper layers to consider the power line media as a simple peer-to-peer communication service between NC and RS. The NL Management also provides notifications to the upper layers upon significant events that may affect those layers (an interface to the upper layer).

The following sections describe the services provided by the NL.

1.2.1.1 NL Topology

The NL is designed to create a tree type topology, allowing efficient connectivity between all nodes in the network. The tree consists of a NC and RS, as described below:

- **Network Coordinator - NC**

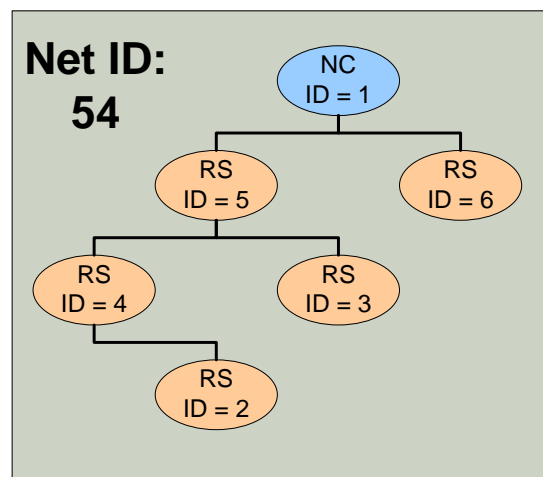
The NC functions as the concentrator of the network. Once a network is created, it assigns a Network ID to the NC; the Node ID of the NC is '1'. As a concentrator of the network, the NC is the root of the tree. The network's topology is derived from the NC's Tables.

- **Remote Station - RS**

The RS is a general name for all nodes in the tree which are not the root, i.e. body nodes and leaves. An RS can function as both an initiating station as well as a repeater and maintains both functions, or may be one or the other.

The following figure describes an example of a tree type topology, the NC and RS:

Figure 1: The Tree Type NL Topology



The figure above describes a tree type topology network consisting of six elements. Notice the tree root where the NC is given the address 54.1 (where 54 denotes the network ID, and 1 denotes the node ID). Other nodes are numbered from 2 to 6 and are organized randomly, simulating the creation of a PLC network topology.

Example: If RS 54.2 (the initiating station) transmits a message to the NC, the message will be sent using Table Routing (special small sized tables in each RS) through stations 54.4 and 54.5, which function as Repeaters, to the NC (54.1).

1.2.1.2 Addressing Services

Every node has a factory assigned serial number, which is a 16 bytes identification number. However, using this number for communication purposes is inefficient. Therefore, a logical ID is assigned to each node by giving it a Network ID and a Node ID. The DLL requires the upper layers to assign these logical IDs before normal communication can begin. The Network Layer provides an automatic addressing mechanism responsible for selecting a network address by the NC and associating nodes (RS) with the network by assigning logical addresses to nodes in the network. The two main functions are:

1. Network ID service:

- Forming a new network by selecting a network address.
- Resolving conflicts with other networks.
- Maintenance of the uniqueness of the network address.

2. Node ID service:

- Associating nodes in the network with the network, by assigning addresses to nodes.
- Maintaining nodes' addresses in the data base.
- Resolving node address conflicts.
- Node admission modes (automatic, based on the CNC number or controlled by Upper Layer).
- Node approval network association, according to the node's Node Key.

1.2.1.3 Routing Services

The DLL provides communication where there is a direct link between the transmitter and receiver nodes. However, when there is no physical connection between the two nodes, routing functions are required and provided by the NL. The NL provides two services, packet routing and route discovery and maintenance. The NL provides the functions for an automatic formation of a tree type topology by defining a concentrator node, the NC and multiple nodes serving as repeaters and end-nodes in the network (RS).

The automatic routing is responsible of identifying, creating and maintaining a route between every node in the network and the NC. The main functions are:

1. Route Discovery:

- Every node discovers its route to the concentrator and vice versa.

2. Route Maintenance and Self Recovery:

- Direct parent link maintenance – the link to the direct parent is continuously maintained.
- Concentrator route maintenance – the entire route to the concentrator is maintained.

3. Route Optimization:

- The route to the concentrator is continuously optimized.

4. Concentrator Recovery:

- The NC, upon reset, retrieves the networks data from the non-volatile memory.
- Recovery from NC replacement. The NC, after disconnection from its RS is 'replaced'. The NC is then given a new Net ID and the network will be built over again.

1.2.1.4 Data Services

Data Services are responsible for the transmission and reception of packets. The NL receives data packets from the upper layers (the application) and passes it on the lower layers (the DLL) and vice versa.

The NL performs the packet routing according to the route information created by the automatic routing services.

1.2.2 Technical Specifications

1.2.2.1 PHY Specifications

The following table described the PHY technical specifications:

Table 1: PHY Specifications

| Parameter | | Value |
|-----------------------------------|-----------|----------|
| Dynamic Range | | 95 dB |
| Narrowband Interference rejection | | -60dB |
| AWGN Interference rejection | | -7dB |
| Maximum Data Rate | FCC | 500 Kbps |
| | ARIB | 500 Kbps |
| | CENELEC A | 150Kbps |
| | CENELEC B | 50 Kbps |

1.2.2.2 NL Management Specifications

The following table describes NL Management technical specifications:

Table 2: NL Management Specifications

| Parameter | | Value |
|--|----------------------|------------|
| Maximum Network Depth | | 16 |
| Maximum Number of Overlapping Networks | | 1023 |
| Maximum RS Nodes in Logical Network | | 1400 |
| Performance* | RS Connection to NC | < 30 sec |
| | Route Fail Detection | < 1 minute |

*The Performance values mentioned in Table 2 are relevant for a network with 20 RS. Increasing the network size will result in different performance values.

1.3 Y-Net Package Content

The following table describes the items included in the Y-Net Package:

Table 3: Y-Net Package Contents

| Item | | Quantity |
|---------------------------------|----------------------------|----------|
| STK4 (Starter Kit) | NC (Network's Coordinator) | One |
| | RS (Remote Station) | Five |
| CD – Software and Documentation | | One |

* Y-NET **Shrink** package includes **One** NC and **Two** RS.

The following figure shows an example of the contents of the Y-NET Package:

Figure 2: Y-NET Package



1.3.1 The STK4 – (Starter Kit)

The STK4 for NC and RS are identical where the difference between the two is in the embedded software configuration. The STK4 serves as a mother board for IT900 Plug-In Module (PIM) and enables evaluation of the IT900 performance, development of PLC (Power Line Communication) enabled products, and creation of a multiple-node testing set-up.

Each STK4 (NC/RS) consists of Mother Board, IT900 PIM, Power Supply unit and USB-Cable.

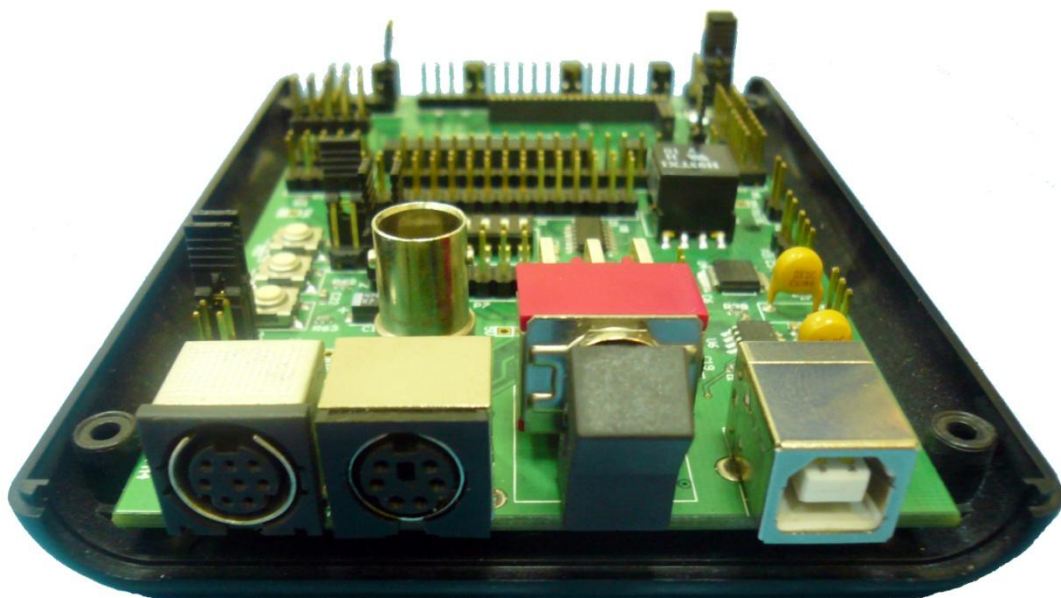
The following figure shows an example of an IT900 PIM:

Figure 3: IT900 PIM



The following figure shows an example of the IT900 STK4 and the board inside:

Figure 4: IT900 STK4 and Board



1.3.2 The CD

The CD consists of the following:

1.3.2.1 *Software Application*

- IT900 PLC Studio – This application is used for direct communication with each node. The application allows node control and monitoring.

1.3.2.2 *Documentation:*

1. **This Document (IT900 Y-Net Package - Quick Start)**

2. **IT900 STK4 User Manual**

This document describes the IT900 STK4 (Starter Kit) platform, its usage and configuration options.

IT900 PLC Studio User Manual

This document describes the PLC Studio PC application used with the IT900 based platform. It includes installation instructions, an overview of its different configurations options and display screens, and test examples.

3. **IT900 Host Interface Command Set User Guide**

The Host Application interfaces with the IT900 via a UART physical interface. This document describes the interface for host applications operating above the IT900 modem, on which the YNET protocol stack resides. The document reviews the YNET protocol stack's supported functions and processes, provides guidelines for creating new applications and allows for an in-depth understanding of the host interface's available commands for implementing host applications above IT900.

4. **IT900 Data Sheet**

The Data Sheet provides a full review of the IT900 IC including pins description, general block diagram, electrical specifications and package information. In addition the document provides functional description of the IT900's AFE, Physical Layer, internal 8051 controller and Y-Net Protocol.

2 Working with the Package

The Y-NET package is designed to enable evaluation, testing and application development with Yitran's technology. The User Mode Options are divided to:

- Evaluation User Mode Options.
- Development Process and Options.

2.1 Evaluation User Mode Options

For evaluation of IT900 based technology, there are four user-modes described in this chapter. These modes range from a simple coverage test mode to a complicated network system. The following sections describe each user-mode and provide the requirements and implementation steps for each evaluation process.

Note that the Evaluation User Modes described in this document are designated for the Y-NET Package content only and allow evaluation of a network of the specified scale.

2.1.1 Coverage Test Mode

The Coverage Test Mode is a simple test to assess connectivity via the power line grid. In this mode, two STK4s, a NC and a RS are used. Connectivity is confirmed using the LED labeled LINK on the RS.

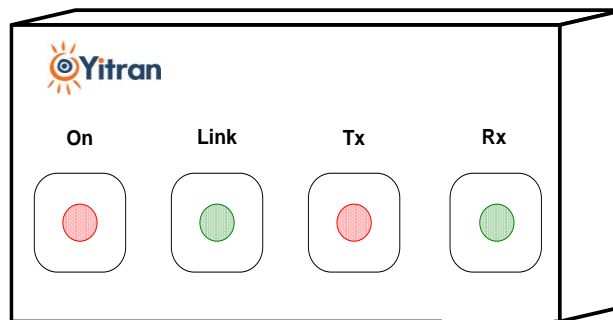
2.1.1.1 Requirements

1. **The required Hardware:**
 - **Two STK4s:**
 - **1 RS**
 - **1 NC**
2. **The required Software:** There is no required software for this mode.
3. **The required Documentation:**
 - IT900 STK4 User Manual

2.1.1.2 Evaluation Steps

1. Connect the NC STK4 to the PSU (Power Supply Unit) and then a plug/socket and turn on the board (black switch).
2. Check that the LED labeled ON is lit.
3. Take an RS STK4 and connect it to a different power supply (plug/socket) and turn on the board.
4. Check that the LED labeled ON is lit.
5. Wait several seconds, a minute at the most, and check that the LED labeled LINK is lit. If the LED labeled LINK is lit, the RS is connected to the NC, connectivity exists and the coverage test succeeded. Otherwise, try connecting the RS to a different power supply and repeat the steps above.

Figure 5: LED Display on STK4



Note

For enabling evaluation without usage of PC running the PLC Studio (evaluation performed using the link led indicating Connectivity), the modem must be configured to AUTOMATIC START mode to allow IT900 operation without need for external initialization. Refer to the PLC Studio User Manual for more details about this configuration option.

2.1.2 Peer To Peer Mode

Peer to Peer evaluation assesses the connectivity and throughput of the PLC link between the two stations using the PLC Studio application. This mode enables both evaluation and product development.

This mode requires two STK4s and the PLC Studio software. It requires a basic setup of two STK4s and installation of the PLC Studio on a PC.

2.1.2.1 Requirements

1. **The required Hardware:**

- **Two STK4s:**
 - 1 NC
 - 1 RS

2. **The required Software:**

- **PLC Studio** - The PLC Studio may be installed on one PC using two USB ports (virtual COM Ports) or it may be installed on two different PCs.

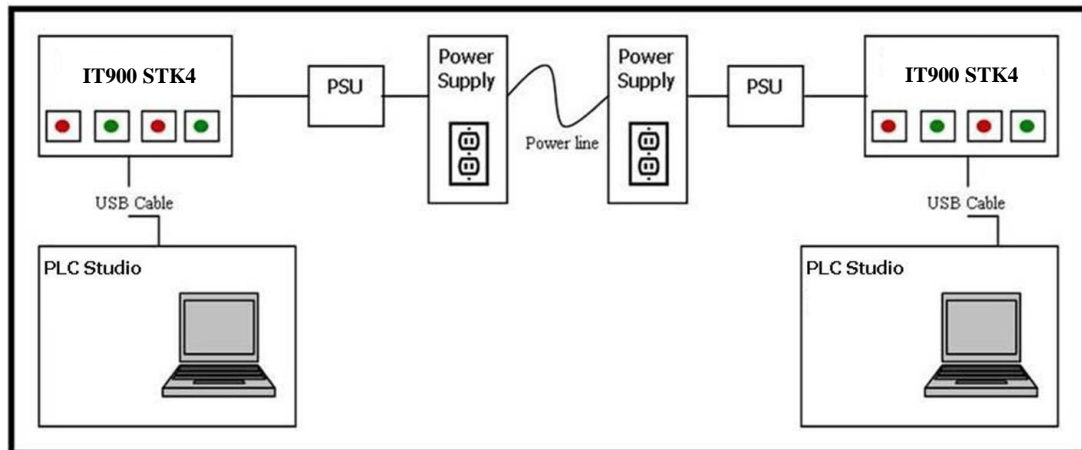
3. **The required Documentation:**

- IT900 STK4 User Manual
- IT900 PLC Studio User Manual

2.1.2.2 Evaluation steps

1. Install the PLC Studio application from the package CD on your PC. (Installation instructions can be found in the IT900 PLC Studio User Manual.)
2. Connect the STK4 to the PSU (Power Supply Unit) and then a plug/socket and turn on the board (black switch).
3. Using the USB cable, connect the STK4 to the desired USB port of the PC.
4. Repeat steps 1-3 for a second STK4 but use a different plug/socket and a different PC (or to the same PC, but to a different USB port).
5. Use the two PLC Studios to evaluate the connectivity by transmitting data and checking its reception. To configure settings and controlling the various options, refer to the IT900 PLC Studio User Manual.

Figure 6: Peer To Peer Setup



2.1.3 Basic NL Setup Mode

The NL Setup mode allows the user to test the NL services of the IT900 (refer to Section 1.2.1). Testing these services will allow the user to learn the addressing and routing functionalities provided by the NL Management (Adaptive Routing and Addressing) mechanism. The user may view the topology of the system (displayed by the PC connected to the NC) and examine its connectivity by transferring packets between various stations in the network.

2.1.3.1 Requirements

1. The required Hardware:

- **STK4** (at least two, recommended to use 6 for full evaluation)
 - **1 NC**
 - **The rest - RS**

2. The required Software:

- **PLC Studio** - The PLC Studio may be installed on one PC only connected to the NC. The PLC Studio for IT900, allows configuring the RS via the NC.

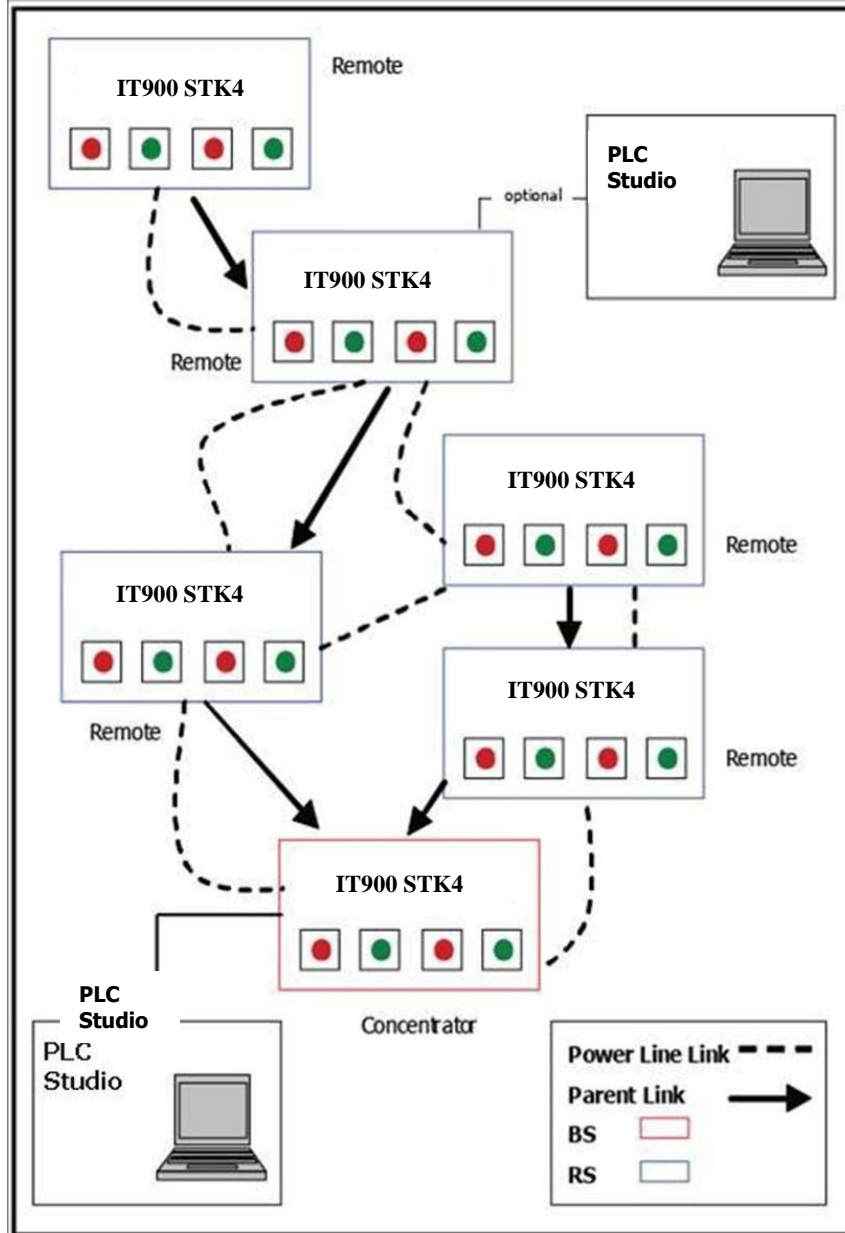
3. The required Documentation:

- IT900 STK4 User Manual
- IT900 PLC Studio User Manual

2.1.3.2 Evaluation steps

- 1.** Connect the STK4s to the PSU (Power Supply Unit) and then a plug/socket and turn on the boards (black switch).
- 2.** Locate the stations in various locations (note: if there is direct link between all nodes than the network topology will be flat – all nodes will be directly connected to the NC).
- 3.** View the network's topology on the PLC Studio connected to the NC in order to learn the addresses of the different nodes in the network and to initiate communication.
- 4.** Examine the data of the transferred packets for evaluation of the network establishment and maintenance.

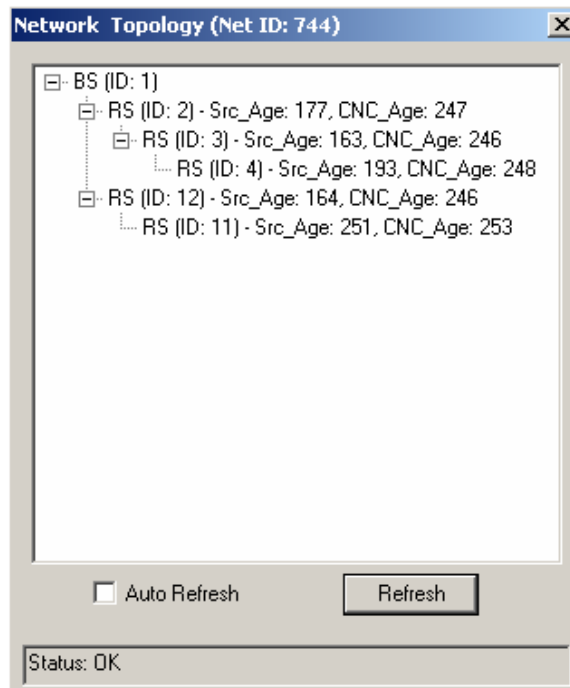
Figure 7: Basic NL Setup



Note

The power line links and parent links described in the figure above are for illustration purposes only. Your network may be constructed automatically with different links.

Figure 8: Network's Topology Display on PLC Studio



 **Note**

The Node IDs displayed on the topology screen above will not necessarily be the same Node IDs in your created network.

2.2 Development Process and Options

For product development with the IT900, follow the sections describing the development process below. The user should first read the required documentation, plan the application structure and content, and then perform the implementation.

2.2.1 *Required Documentation*

Reading and learning the following documents are essential for further development.

1. **IT900 Host Interface Command Set User Guide**

This document describes the interface of the IT900 and explains how to interface with the IT900; configure and monitor parameters, transmit data, receive data and more.

2. **IT900 Host Interface SW (Software) Example**

This document describes the application Software Example for the IT900 provided by Yitran. The Software Example is available for developers by request from Yitran, as a reference for implementation of further development.

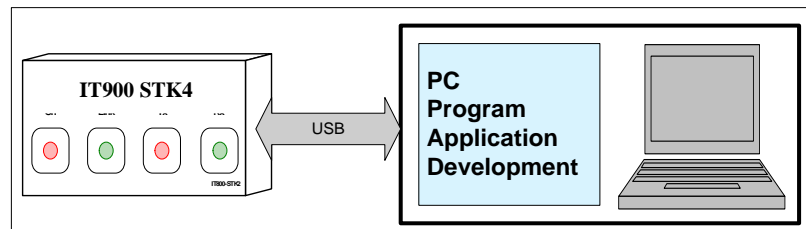
2.2.2 Implementation Options

The development of the application interfacing with the IT900 may take place in any of the following:

2.2.2.1 PC

This option allows for the development of a PC program application which interfaces with the IT900. Use this implementation option for enabling settings and configuration of the IT900, controlling of message transmission and reception, statistics, file transfer and more.

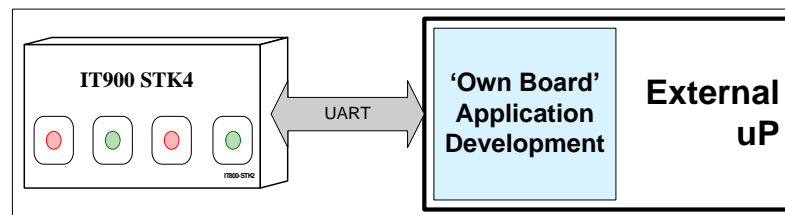
Figure 9: PC Program Application Development



2.2.2.2 External uP

This option allows for the development of a program for an 'Own Board' uP, interfacing with the IT900 through UART. Use this implementation option for development of a substantive product. Different configurations, settings, control and monitoring of the IT900 is maintained via the Own Board uP.

Figure 10: External uP/Own Board Application



2.2.3 Choosing Application Requirements

An important stage of the development process is planning the application, its different options and functions, and features to be included. When developing an application the user should take into consideration developing two types of interfaces; the concentrator of the network (NC) and the end-nodes/repeaters of the network (RS).

The following options refer to the functions that may be included in the application:

- **Common Functionalities**
 1. Initialization
 2. Packet Transmission (Tx)
 3. Packet Reception (Rx)
 4. Parameters Configuration and Monitoring
- **NC Functionalities**
 1. Network Monitoring (access to Addressing and Routing tables)
 2. Admission Conditions
- **RS Functionalities**
 1. RS Monitoring
 2. RS Joining Conditions

2.2.4 Implementation

After reading the necessary documentation and planning the application, the implementation itself may begin. In order to implement the desired application follow the IT900 Host Interface Command Set User Guide, in which the implementation of each command is described. For easier implementation of the necessary code, refer to the software example documents (available by request from Yitran).

3 Frequently Asked Questions (FAQ)

This section consists of frequently asked question about general topics related to the IT900 technology.

Q: What is the maximum range for a single hop communication using IT900?

A: There is no real meaning to a maximal range for the power line communication since the distance depends on the power line conditions (noise, load, etc.). The IT900 signal can run for several kilometers under ideal power line conditions (i.e. mid-voltage). When the power line conditions are not ideal and the modem ‘suffers’ from heavy load and noises the distance will be shorter, but it will still provide full connectivity (communication between every two nodes) in standard size houses.

Q: Can two modems communicate if they are located on different phases? Is a phase coupler required?

A: Communication between different phases can exist due to inductance between the phases. The problem with most PLC technologies is that the quality of the signal after passing from one phase to another is very poor and does not stand in the minimal modem requirements (SNR, dynamic Range etc.) for performing communication. Due to the robustness and the ability to perform communication in negative SNR and bad power line conditions, on standard size houses with normal power line conditions, IT900 can perform cross-phase communication with no need for external phase coupling. But, when trying to communicate over “long distances” and over different phases (i.e modem **X** located on floor 1 plugged to phase 1 and modem **Y** located on floor 5 plugged to phase 2), there is a possibility that the modems will not overcome both the distance and cross-phasing. In this case you might need to use an external phase-coupler.

Q: Does the modem work even when there is no power on the lines?

A: The modem does not require the AC power in order to perform communication. In fact, if there is no power on the lines the communication conditions are ideal since IT900 will not suffer from noises or load.

Q: Can the modem work on a DC line?

A: Yes.

Q: Is there a different price for NC PIM compared to the RS PIMs?

Proprietary Information

A: Both “NC” and “RS” modules contain exactly the same software and hardware (in very big networks we might add external EEPROM to the NC). The node’s operation mode (NC/RS) is a simple configuration and can be easily done by the application.

Q: What is the typical power consumption of IT900 while it is on Idle (Rx)?

A: The IT900 typical consumption (RX) is ~250 mW. More information about IT900 consumption and power supply requirements are detailed in IT900 Data Sheet.

Document Control

| Revision | Date | Description |
|----------|------------------|--|
| 1.0 | February 1, 2011 | Creation |
| 1.1 | October 27, 2011 | Added YNET Shrink Package Contents |

Important Notice

Yitran Communications (“Yitran”) reserve the right to make changes to their products or to discontinue any product or service without notice, and advise customers to obtain the latest version of relevant information to verify, before placing orders, that information being relied on is current and complete. All products are sold subject to the terms and conditions of sale supplied at the time of order acknowledgement, including those pertaining to warranty, patent infringement, and limitation of liability.

Yitran warrants performance of its products to the specifications applicable at the time of sale in accordance with Yitran’s standard warranty. Testing and other quality control techniques are utilized to the extent Yitran deems necessary to support this warranty. Specific testing of all parameters of each device is not necessarily performed, except those mandated by government requirements.

CERTAIN APPLICATIONS USING SEMICONDUCTOR PRODUCTS MAY INVOLVE POTENTIAL RISKS OF DEATH, PERSONAL INJURY, OR SEVERE PROPERTY OR ENVIRONMENTAL DAMAGE (“CRITICAL APPLICATIONS”). YITRAN’S PRODUCTS ARE NOT DESIGNED, AUTHORIZED, OR WARRANTED TO BE SUITABLE FOR USE IN LIFE-SUPPORT DEVICES OR SYSTEMS OR OTHER CRITICAL APPLICATIONS. INCLUSION OF YITRAN’S PRODUCTS IN SUCH APPLICATIONS IS UNDERSTOOD TO BE FULLY AT THE CUSTOMER’S RISK.

In order to minimize risks associated with the customer’s applications, the customer to minimize inherent or procedural hazards must provide adequate design and operating safeguards.

Yitran assumes no liability for applications assistance or customer product design. Yitran does not warrant or represent that any license, either express or implied, is granted under any patent right, copyright, mask work right, or other intellectual property right of Yitran covering or relating to any combination, machine, or process in which such semiconductor products or services might be or are used. Yitran’s publication of information regarding any third party’s products or services does not constitute Yitran’s approval, warranty or endorsement thereof.